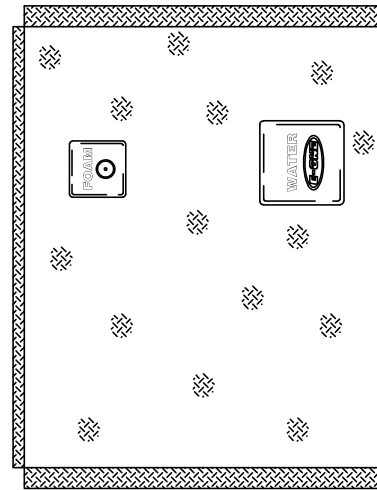


# TOWN OF KITTY HAWK FIRE DEPT KITTY HAWK, NC

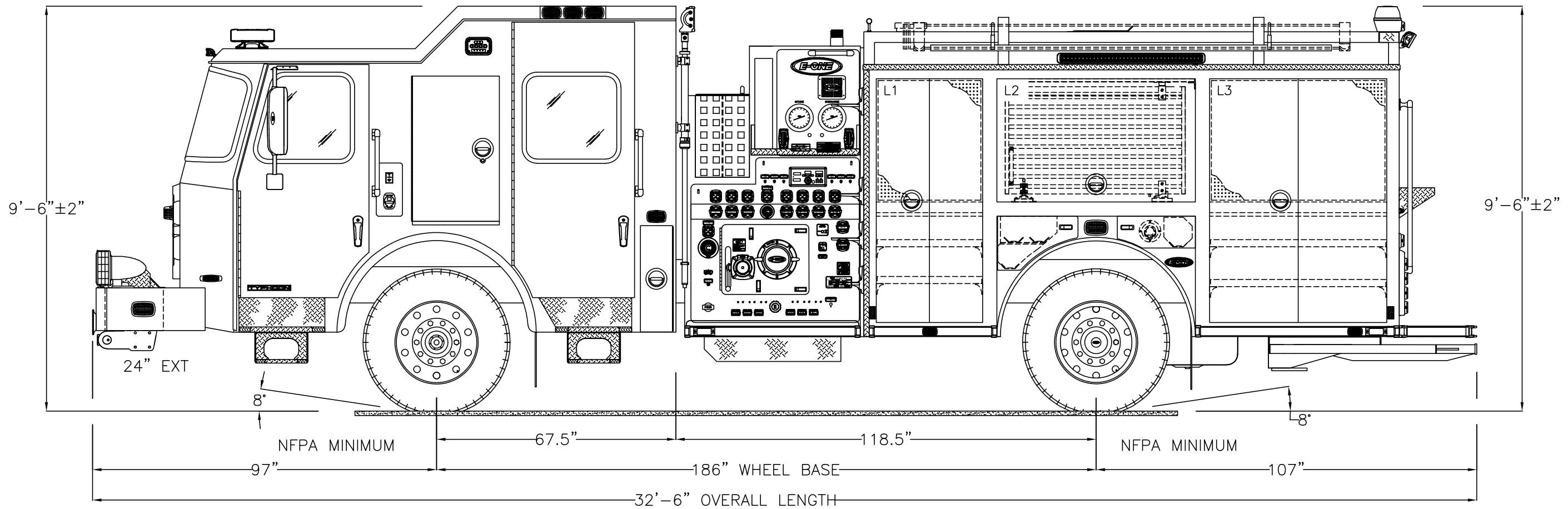
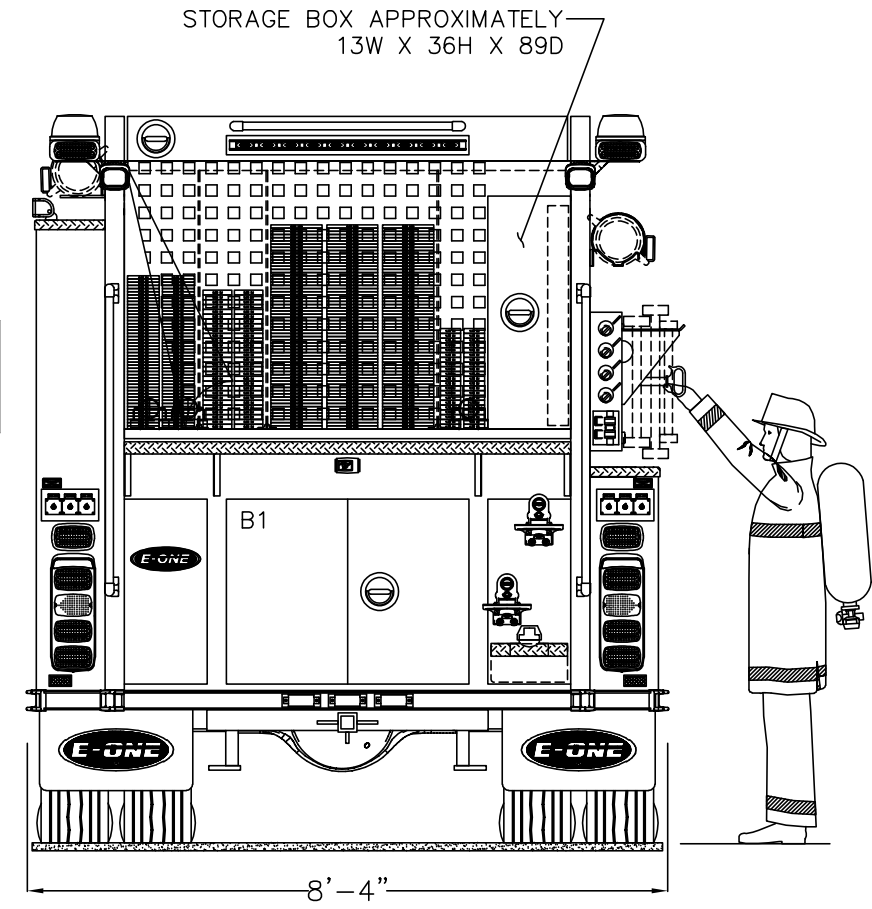
SO.144985 / Q109883

PUMPER  
TYPHOON 4X2 CHASSIS

1500 GPM HALE QMAX PUMP		HOSE LOAD:			
750 GALLON POLY III WATER TANK		400' OF 3.00 DJ			
30 GALLON INTEGRAL "A" FOAM CELL		400' OF 2.50 DJ			
		1000' OF 5.00 LDH			
		350' OF 1.75 DJ			
COMPT.	OPENING	INTERIOR DIMENSION			
L1	30W 68H	30W	34H	12D	UPPER
		30W	30H	26D	LOWER
L2	30W 34H	30W	34H	12D	
L3	50W 68H	50W	34H	12D	UPPER
		50W	30H	26D	LOWER
R1	30W 30H	30W	30H	26D	
R2	50W 30H	50W	30H	26D	
B1	38W 29H	38W	29H	27D	
THIS DRAWING IS FOR REFERENCE PURPOSES. ALL DIMENSIONS ARE SUBJECT TO MINOR VARIATIONS DUE TO MANUFACTURING PROCESSES.					
(FOR INTERNAL SALES PURPOSES ONLY)					
DEALER APPROVAL	DATE	<input type="checkbox"/> AS IS			
CUSTOMER APPROVAL	DATE	<input type="checkbox"/> WITH REVISIONS			

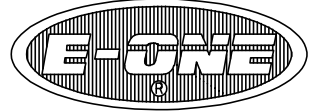


HOSEBED HEIGHT:  
(FOR REFERENCE ONLY)  
TO TAILBOARD: 41"  
TO GROUND: 65"



APARK	A.7	ORDER RELEASE	2021-OCT-18	APARK
DRAWN BY	REV	DESCRIPTION	DATE	APPROVED
		APPROVAL REVISIONS		SHEET 1 OF 2

Date Printed: 2021-10-18 at 15:43:28 EDT  
 Creator: Gallagher, David  
 Context: [Product]:Pumper  
 Location: [Product]:Pumper/144000/144985/Sales Drawings  
 Username: bharbaugh  
 State: Released  
 Version: A.7

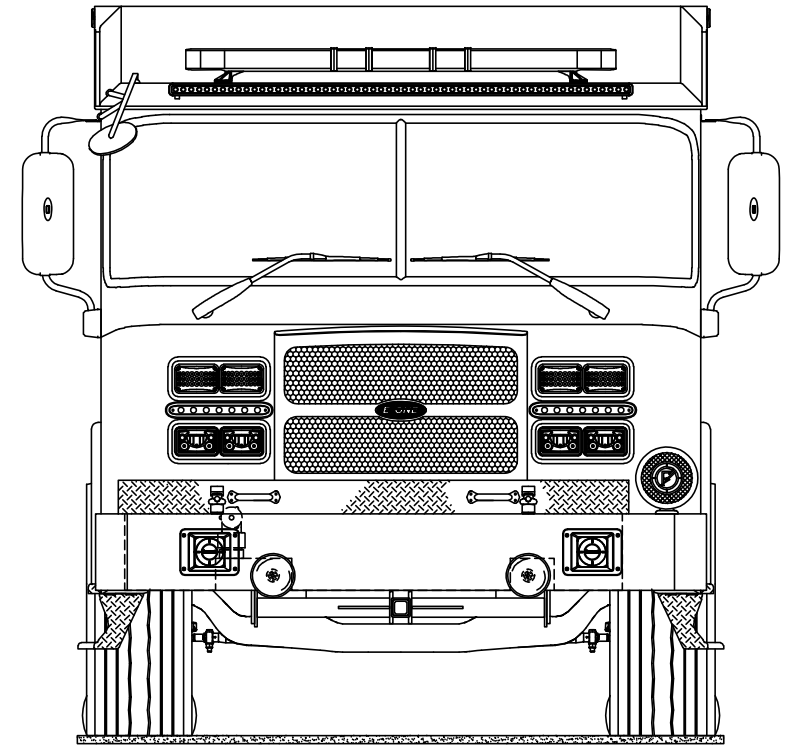
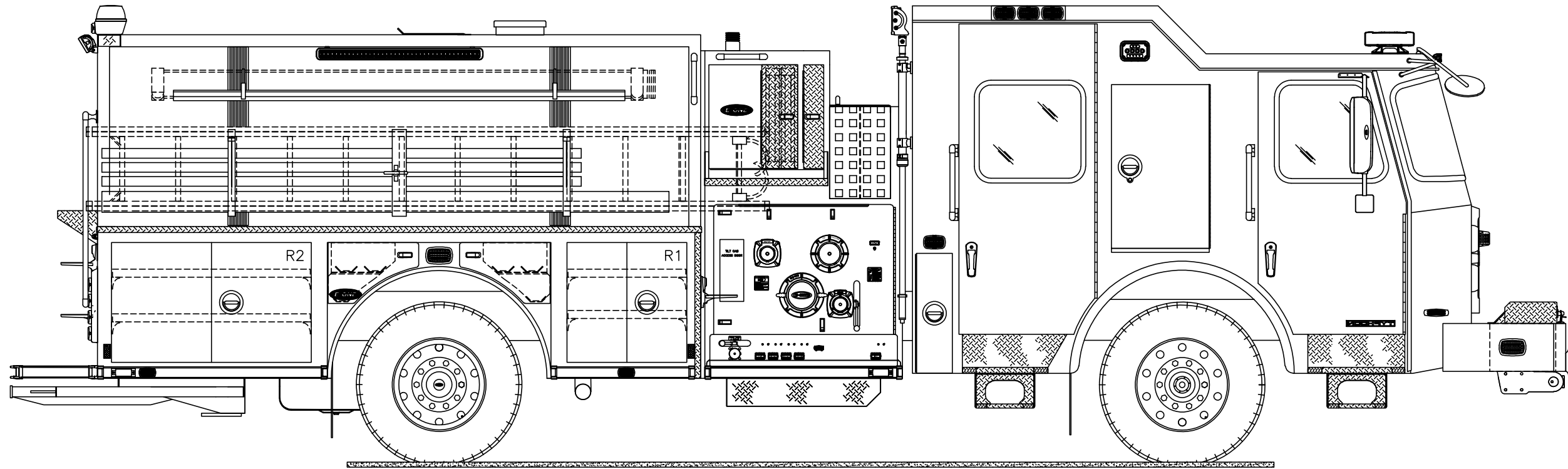


**TOWN OF KITTY HAWK FIRE DEPT**  
**KITTY HAWK, NC**  
*SO.144985 / Q109883*  
**PUMPER**  
**TYPHOON 4X2 CHASSIS**

THIS DRAWING IS FOR REFERENCE PURPOSES. ALL DIMENSIONS ARE SUBJECT TO MINOR VARIATIONS DUE TO MANUFACTURING PROCESSES.

(FOR INTERNAL SALES PURPOSES ONLY)

DEALER APPROVAL \_\_\_\_\_ DATE \_\_\_\_\_  AS IS  
 CUSTOMER APPROVAL \_\_\_\_\_ DATE \_\_\_\_\_  WITH REVISIONS



Date Printed: 2021-10-18 at 15:43:28 EDT    Username: bharbaugh  
 Creator: Gallagher, David    State: Released  
 Context: [Product]:Pumper    Version: A.7  
 Location: [/Product]:Pumper/144000/144985/Sales Drawings

APARK	A.7	ORDER RELEASE	2021-OCT-18	APARK
DRAWN BY	REV	DESCRIPTION	DATE	APPROVED
APPROVAL REVISIONS				SHEET 2 OF 2