

PITTSBORO FIRE DEPT.
PITTSBORO, NC
S.O. 144608 / QUOTE 105093
AERIAL BODY
E-ONE CYCLONE CHASSIS
HP100 AERIAL PLATFORM

THIS DRAWING IS FOR REFERENCE PURPOSES. ALL DIMENSIONS ARE SUBJECT TO MINOR VARIATIONS DUE TO MANUFACTURING PROCESSES.

(FOR INTERNAL SALES PURPOSES ONLY)

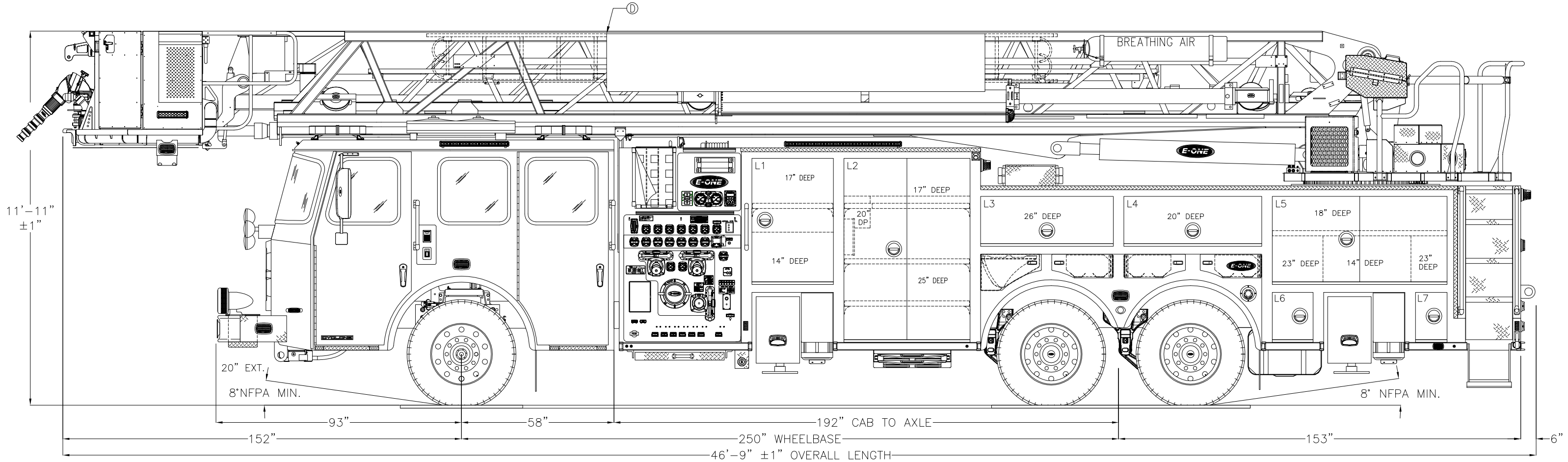
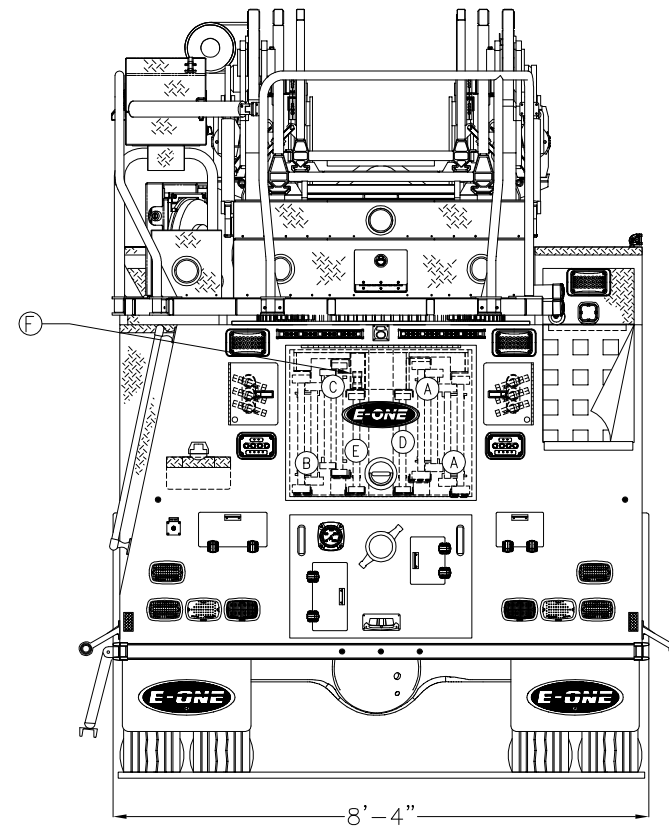
DEALER APPROVAL _____ DATE _____ AS IS
 CUSTOMER APPROVAL _____ DATE _____ WITH REVISIONS

2000 GPM HALE QMAX PUMP	HOSE LOAD:
300 GALLON WATER TANK	700' OF 5.00" LDH

COMPT.	OPENING		INTERIOR DIMENSION			
L1	31W	47H	31W	19H	17D	UPPER
R1	31W	47H	31W	19H	14D	LOWER
L2	48W	69H	31W	19H	16D	UPPER
R2	48W	69H	48W	14H	17D	UPPER
			48W	54H	NOTED	LOWER
L3/R3	50W	18H	50W	18H	26D	
R4	15W	32H	15W	32H	23D	
L4	52W	18H	52W	18H	20D	
R5	31W	10H	31W	10H	14D	
L5	66W	32H	66W	15H	18D	UPPER
R6	36W	32H	66W	17H	NOTED	LOWER
L6	15W	18H	15W	18H	23D	
L7	12W	18H	12W	18H	23D	

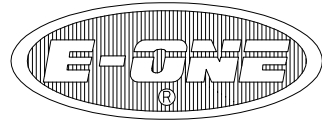
GROUND LADDERS			
ITEM	LADDER LENGTH	MODEL NUMBER	QTY
A	35' 2-SECT.	PEL-35	2
B	28' 2-SECT.	PEL-28	1
C	24' 2-SECT.	PEL-24	1
D	20' ROOF	DRL-20	2
E	16' ROOF	DRL-16	1
F	10' FOLDING	FL-10	1
G	LITTLE GIANT	MODEL 17	1

ONE ON AERIAL



GACRET	A.5	NFP	2021-JUN-02	GACRET
DRAWN BY	REV	DESCRIPTION	DATE	APPROVED
		PROPOSAL REVISIONS		SHEET 1 OF 2

Date Printed: 2021-06-07 at 16:50:58 EDT Username: dtallman
 Creator: Cret, Gabe Jr. Version: A.5 State: Released
 Context: Aerial Location: /Default/144608/Sales Drawings

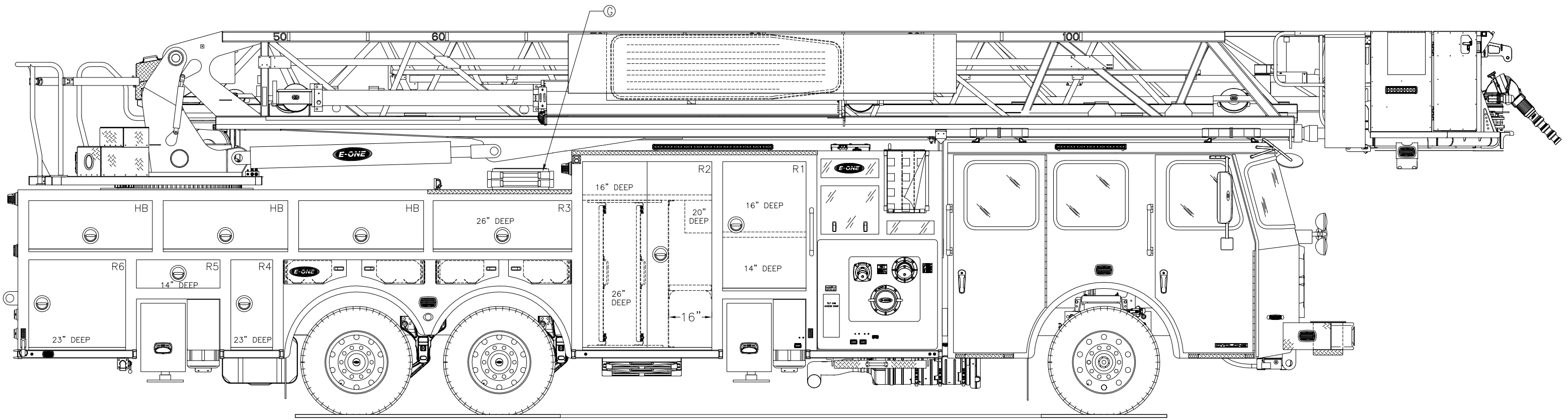
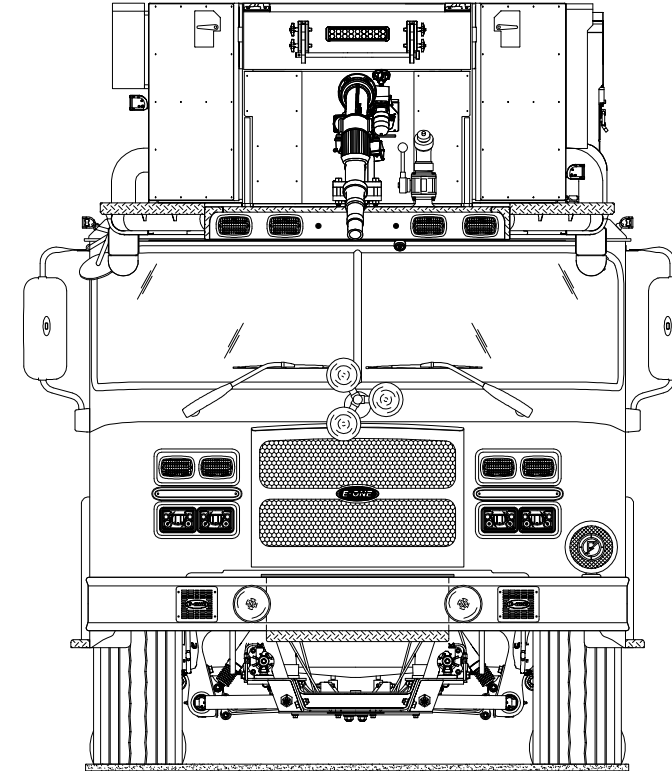


PITTSBORO FIRE DEPT.
PITTSBORO, NC
S.O. 144608 / QUOTE 105093
AERIAL BODY
E-ONE CYCLONE CHASSIS
HP100 AERIAL PLATFORM

THIS DRAWING IS FOR REFERENCE PURPOSES. ALL DIMENSIONS ARE SUBJECT TO MINOR VARIATIONS DUE TO MANUFACTURING PROCESSES.

(FOR INTERNAL SALES PURPOSES ONLY)

DEALER APPROVAL _____ DATE _____ AS IS
 CUSTOMER APPROVAL _____ DATE _____ WITH REVISIONS



GACRET	A.S	NFP	2021-JUN-02	GACRET
DRAWN BY	REV	DESCRIPTION	DATE	APPROVED
		PROPOSAL REVISIONS		

Date Printed: 2021-06-07 at 16:50:58 EDT Username: dtallman
 Creator: Cret, Gabe Jr. Version: A.5 State: Released
 Context: Aerial Location: /Default/144000/144608/Sales Drawings