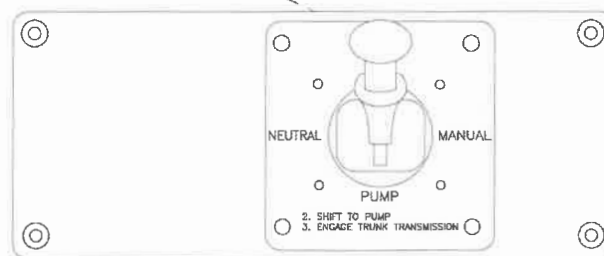
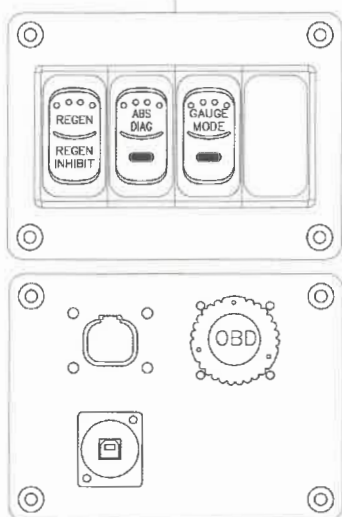
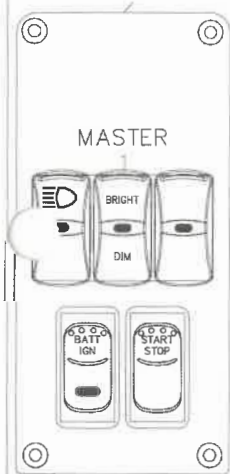


**STEERING WHEEL MAIN SWITCHES:**  
 SW 1: WIPER FUNCTIONS  
 SW 2: MASTER WARNING SW  
 SW 3: AIR HORN SW  
 SW 4: AUX BRAKE ON/OFF

**STEERING WHEEL AUX SWITCHES:**  
 AUX SW 1: Q2B  
 AUX SW 2: FRONT BROW LT(s)  
 AUX SW 3: Q2B BRAKE



THIS DRAWING IS FOR REFERENCE PURPOSES. ALL DIMENSIONS ARE SUBJECT TO MINOR VARIATIONS DUE TO MANUFACTURING PROCESSES.

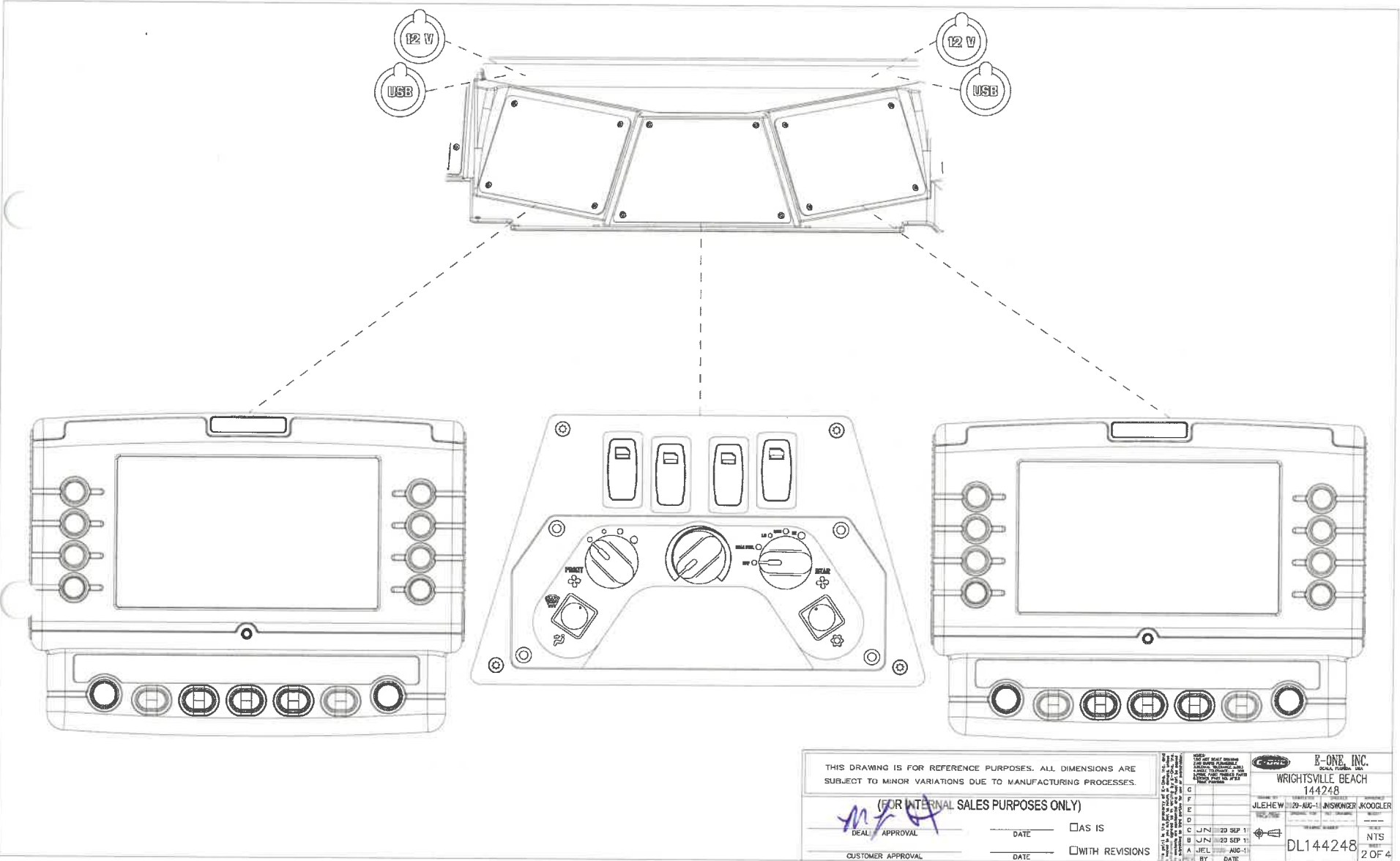
(FOR INTERNAL SALES PURPOSES ONLY)

DESIGN APPROVAL \_\_\_\_\_ DATE \_\_\_\_\_  AS IS  
 CUSTOMER APPROVAL \_\_\_\_\_ DATE \_\_\_\_\_  WITH REVISIONS

REV	DATE	DESCRIPTION
1		
2		
3		
4		
5		
6		
7		
8		
9		
10		

E-ONE, INC.  
 WRIGHTSVILLE BEACH  
 144248

J. LEHEW 020-AUG-11 ANTHONY BOOCLEER  
 DL144248 NTS  
 1 OF 4



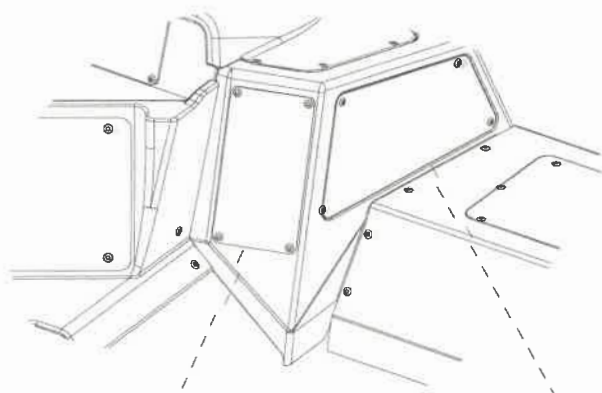
THIS DRAWING IS FOR REFERENCE PURPOSES. ALL DIMENSIONS ARE SUBJECT TO MINOR VARIATIONS DUE TO MANUFACTURING PROCESSES.  
(FOR INTERNAL SALES PURPOSES ONLY)

DESIGN APPROVAL	DATE	<input type="checkbox"/> AS IS
CUSTOMER APPROVAL	DATE	<input type="checkbox"/> WITH REVISIONS

REV		DATE		BY	
A	JLE	20-SEP-11			
B	JUN	20-SEP-11			
C	JUN	20-SEP-11			
D					
E					
F					
G					
K-ONE, INC. WRIGHTSVILLE BEACH 144248 JLEHEW 20-AG-11 ANSWONDER, KOOGLER DL144248 NTS 2 OF 4					

**Switches in display:**

- MASTER WARNING
- UPPER WARNING
- LOWER WARNING
- 'ORK LT
- COMPARTMENT LT
- FAST IDLE
- L.M. OVERRIDE
- FRONT SPOT LT
- FRONT SCENE LT
- FRONT FLOOD LT
- LEFT FLOOD LT
- RIGHT FLOOD LT
- REAR SCENE LT
- GENERATOR PTO



**Other Systems in Display:**

- Occupant Detection
- Rear Camera Monitor
- Officer's Speedo

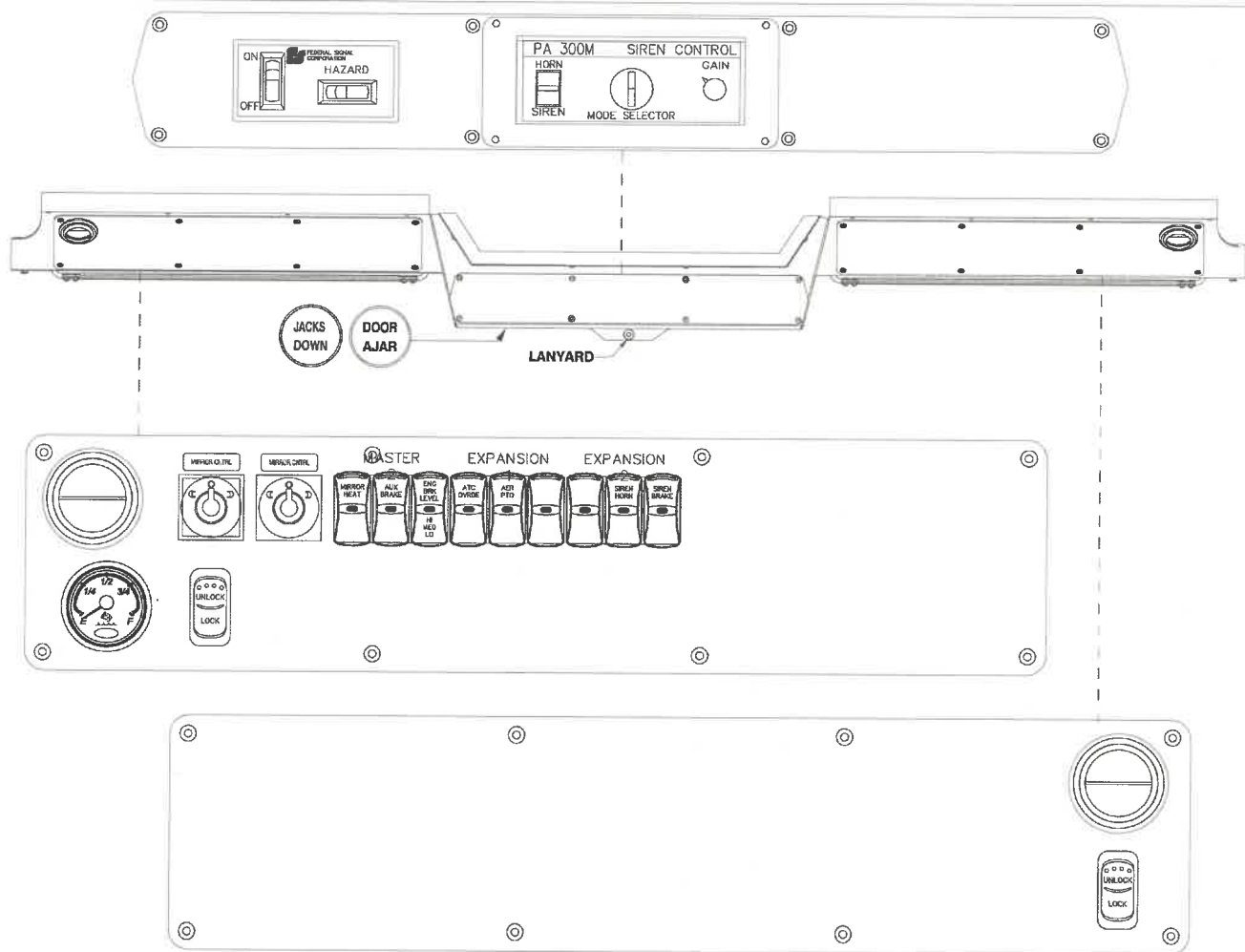
THIS DRAWING IS FOR REFERENCE PURPOSES. ALL DIMENSIONS ARE SUBJECT TO MINOR VARIATIONS DUE TO MANUFACTURING PROCESSES.

**E-ONE, INC.**  
WRIGHTSVILLE BEACH, FL 32096  
144248

DL144248 NTS  
\$ OF 4

DATE: 20 SEP 17  
DATE: 20 SEP 19

APPROVAL: [Signature] DATE: [ ] AS IS  
CUSTOMER APPROVAL: [ ] DATE: [ ] WITH REVISIONS



THIS DRAWING IS FOR REFERENCE PURPOSES. ALL DIMENSIONS ARE SUBJECT TO MINOR VARIATIONS DUE TO MANUFACTURING PROCESSES.

*MZA* (FOR INTERNAL SALES PURPOSES ONLY)

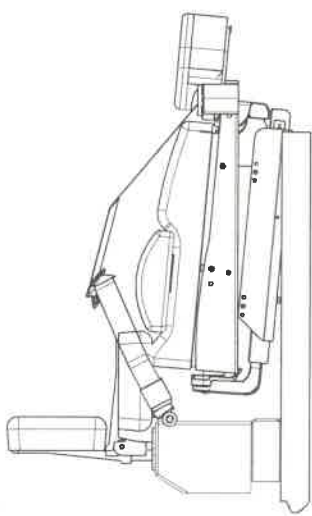
DEALER APPROVAL \_\_\_\_\_ DATE \_\_\_\_\_  AS IS  
 CUSTOMER APPROVAL \_\_\_\_\_ DATE \_\_\_\_\_  WITH REVISIONS

REV	DATE	BY	DESCRIPTION
G			
F			
E			
D			
C	JUN 20 SEP 17		
B	JUN 20 SEP 12		
A	JUL 020-AUG-11		

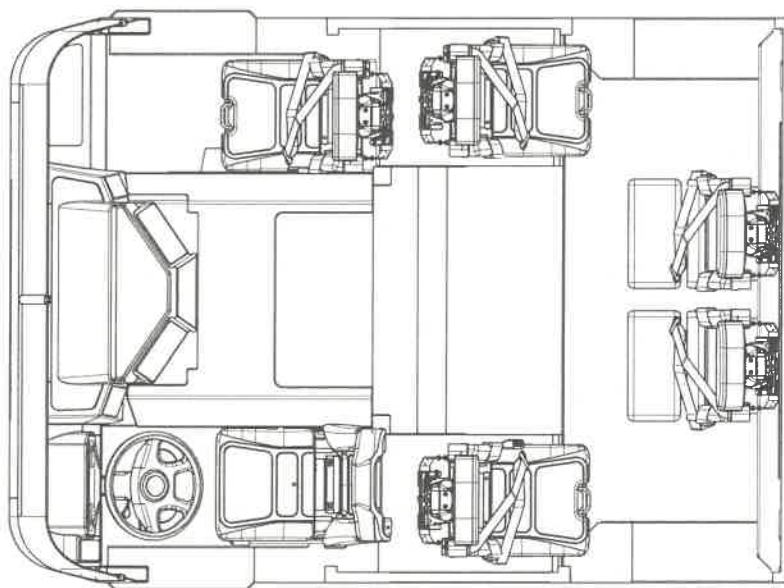
R-ONE, INC.  
 WRIGHTSVILLE BEACH  
 144248  
 JLEHEW 020-AUG-11 JNSWINGER KODGLER  
 DL144248 NTS  
 4 OF 4



WRIGHTSVILLE BEACH  
 WRIGHTSVILLE BEACH, NC  
 S144248 / Q97546  
 TYPHOON



REAR SEAT SIDE VIEW  
 SCALE .188



THIS DRAWING IS FOR GENERAL PURPOSES. ALL DIMENSIONS ARE SUBJECT TO MANUFACTURING TOLERANCES AND MANUFACTURING PRACTICES.

DATE: 11/24/20  
 DRAWN BY: [Signature]

E-ONE, INC. PROPRIETARY  
 DISTRIBUTION STATEMENT:  
 THIS DOCUMENT CONTAINS E-ONE PROPRIETARY AND TRADE SECRET INFORMATION.  
 THIS DOCUMENT SHALL BE MANAGED BY E-ONE AND SHALL NOT BE USED FOR MANUFACTURING, REPLICATION, OR ANY OTHER PURPOSES WITHOUT THE WRITTEN PERMISSION OF E-ONE, INC.

NO. 144248	REV. 01	DATE: 11/24/20	BY: [Signature]
NO. 144248	REV. 01	DATE: 11/24/20	BY: [Signature]



# WRIGHTSVILLE BEACH WRIGHTSVILLE BEACH, NC

S.O. 144248 / QUOTE 97546  
AERIAL BODY W/ SIDE STACKER HOSEBED  
E-ONE TYPHOON CHASSIS  
HR100 LADDER

THIS DRAWING IS FOR REFERENCE PURPOSES. ALL DIMENSIONS ARE SUBJECT TO MINOR VARIATIONS DUE TO MANUFACTURING PROCESSES.

(FOR INTERNAL SALES PURPOSES ONLY)

AS IS  
 WITH REVISIONS  
 DEALER APPROVAL \_\_\_\_\_ DATE \_\_\_\_\_  
 CUSTOMER APPROVAL \_\_\_\_\_ DATE \_\_\_\_\_

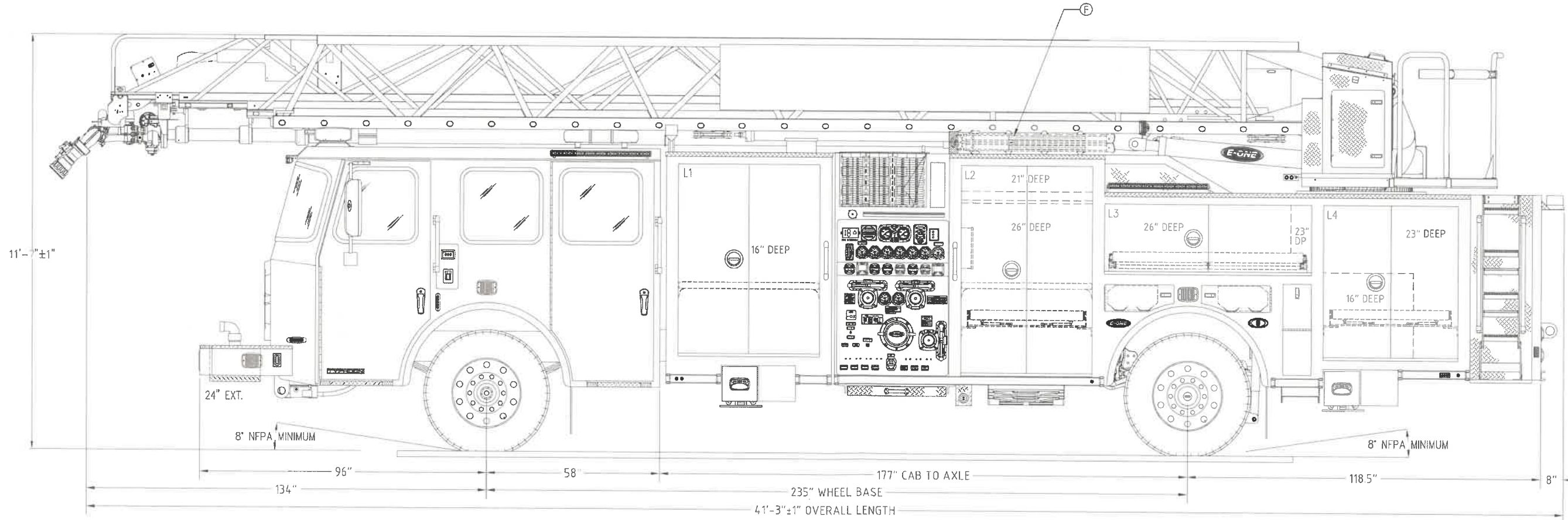
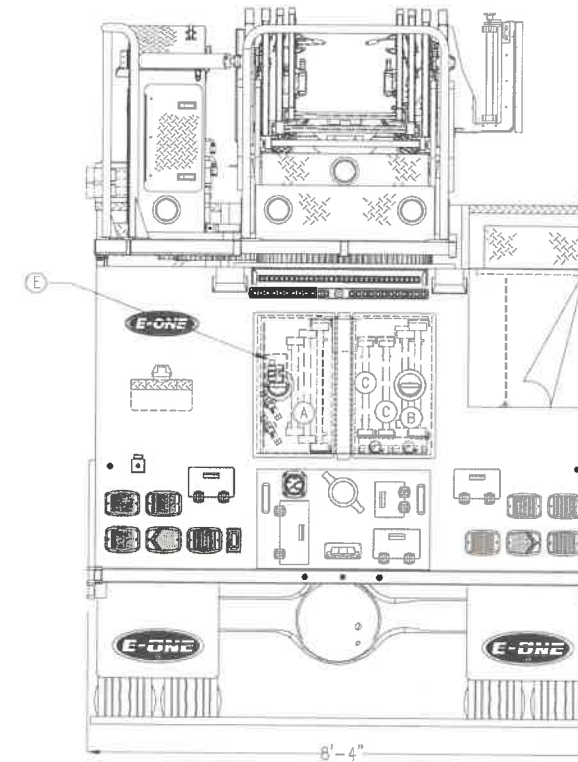
COMPT.		OPENING		INTERIOR DIMENSION		
L1/R1	47W	62H	47W	62H	NOTED	
L2/R2	44W	69H	44W	10H	21D	UPPER
				44W	59H	26D LOWER
L3	69W	23H	69W	23H	NOTED	
R3	25W	24H	25W	24H	16D	
L4	45W	51H	45W	23H	23D	UPPER
				45W	28H	NOTED LOWER
R4	40W	27H	40W	27H	23D	

GROUND LADDERS			
ITEM	LADDER LENGTH	MODEL NUMBER	QTY
A	35' 3-SECT.	PEL3-35	1
B	28' 2-SECT.	PEL-28	1
C	16' ROOF	PRL-16	2
D	12' ROOF	PRL-12	1
E	10' FOLDING	FL-10	1
F	LITTLE GIANT	MODEL-17	1

HOSE LOAD:  
800' OF 5.00" LDH  
350' OF 3.00" DJ

ON AERIAL



DATE	BY	REV	DESCRIPTION	DATE	BY	REV	DESCRIPTION
2020-11-24	dtallman		ASSEMBLY				

Date Printed: 2020-11-24 at 16:24:44 EST  
 Creator: Strawder, James  
 Context: Aerial  
 Username: dtallman  
 State: Released  
 Version: B.6  
 Location: /Default/144000/144248/Sales Drawings



# WRIGHTSVILLE BEACH WRIGHTSVILLE BEACH, NC

S.O. 144248 / QUOTE 97546  
AERIAL BODY W/ SIDE STACKER HOSEBED  
E-ONE TYPHOON CHASSIS  
HR100 LADDER

THIS DRAWING IS FOR REFERENCE PURPOSES. ALL DIMENSIONS ARE  
SUBJECT TO MINOR VARIATIONS DUE TO MANUFACTURING PROCESSES.

(FOR INTERNAL SALES PURPOSES ONLY)

*msw*

DEALER APPROVAL

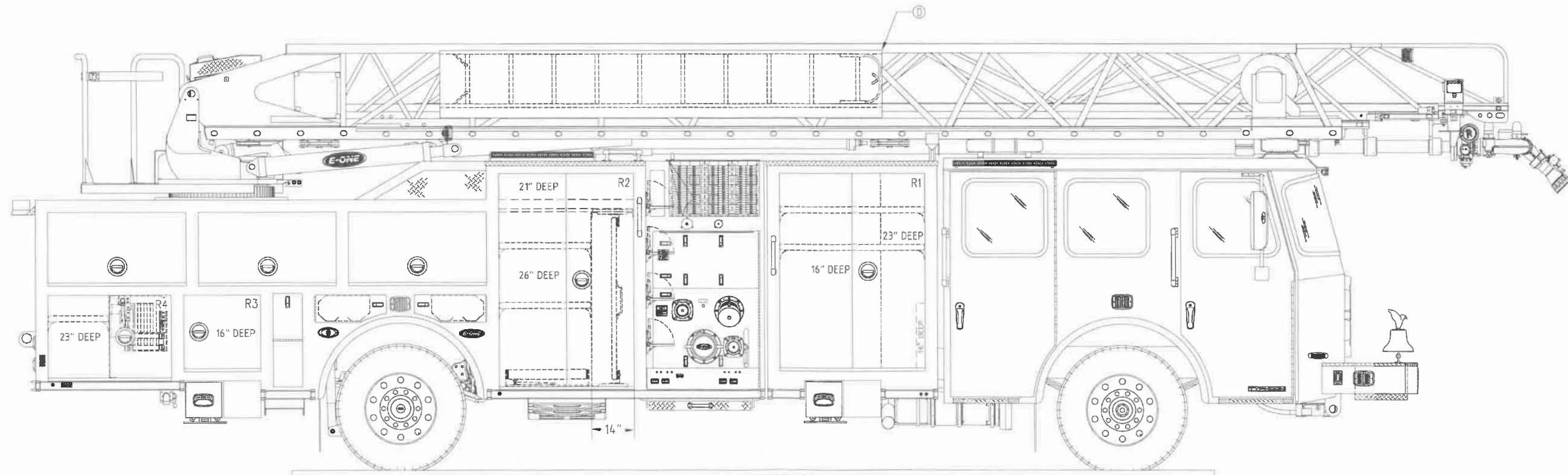
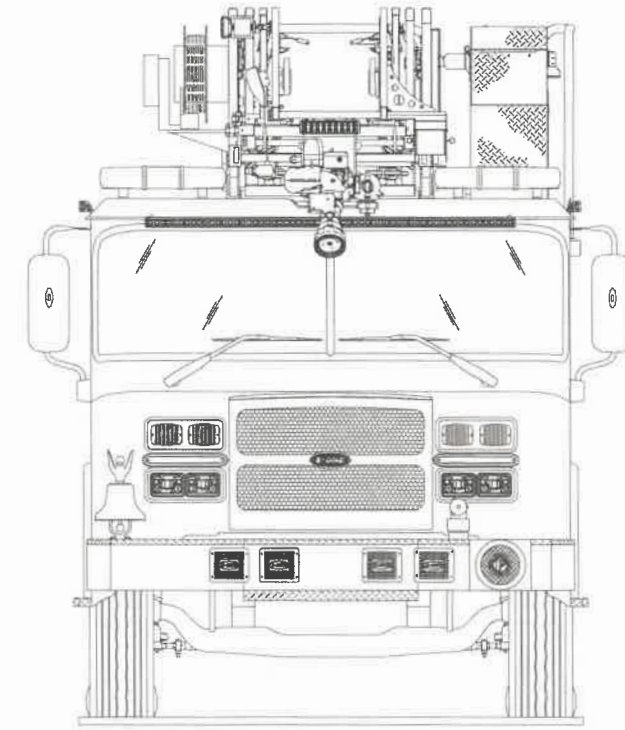
DATE

AS IS

CUSTOMER APPROVAL

DATE

WITH REVISIONS



DATE	BY	REV	DESCRIPTION	DATE	APPROVED

Date Printed: 2020-11-24 at 16:24:44 EST Username: dtallman  
Creator: Strawder, James Version: B.6 State: Released  
Context: Aerial Location: /Default/144000/144248/Sales Drawings

THIS DRAWING IS FOR REFERENCE PURPOSES. ALL DIMENSIONS ARE SUBJECT TO MINOR VARIATIONS DUE TO MANUFACTURING PROCESSES.

(FOR INTERNAL SALES PURPOSES ONLY)

*M. H. J.*

DEALER APPROVAL \_\_\_\_\_

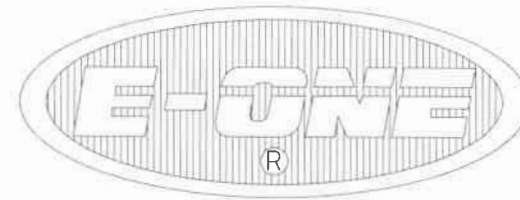
DATE \_\_\_\_\_

AS IS

CUSTOMER APPROVAL \_\_\_\_\_

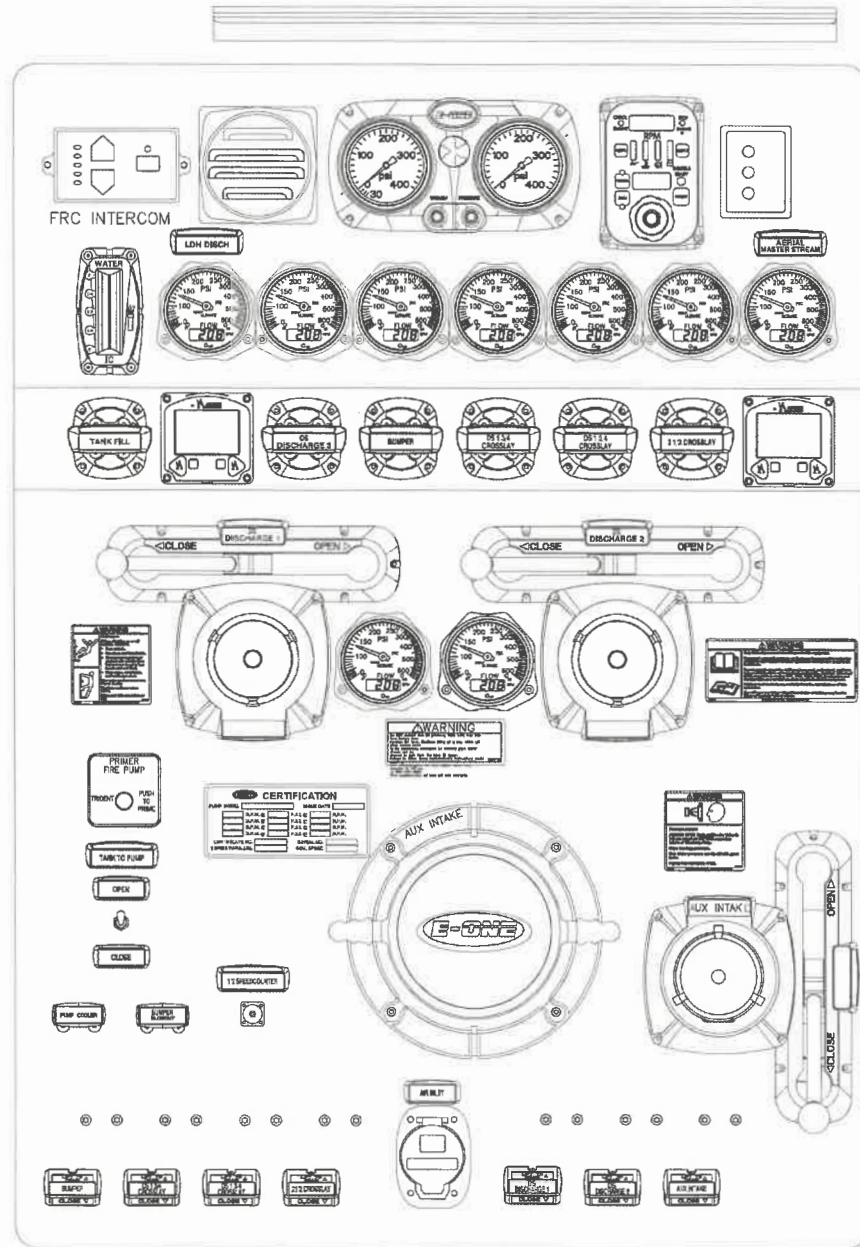
DATE \_\_\_\_\_

WITH REVISIONS

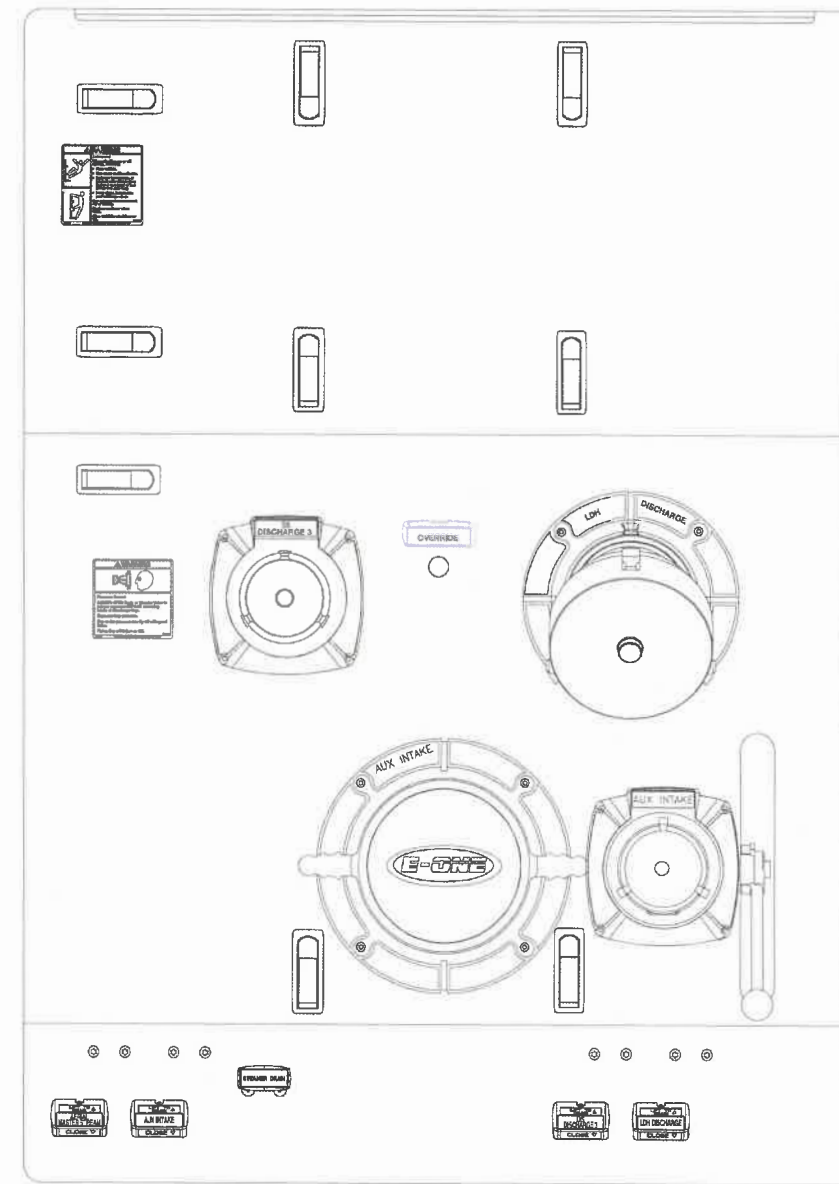


**WRIGHTSVILLE BEACH  
WRIGHTSVILLE BEACH, NC**

*PPL.144248*  
**WATEROUS S100 1500**



LEFT PANEL



RIGHT PANEL

DATE	BY	DESCRIPTION	APPROVED
2020-11-24	AT	DESIGN REVISION 2	
	REV	DESCRIPTION	DATE
	APPROVAL	REVISIONS	SHEET 2 OF 2

Date Printed: 2020-11-24 at 16:24:49 EST Username: dtallman  
 Creator: Nelson, David Version: A.8 State: Released  
 Context: Aerial Location: /Default/144000/144248/SAE