

**ATLANTIC BEACH FIRE DEPT.**  
**ATLANTIC BEACH, NC**  
*S.O.145958/Q118548*  
**AERIAL BODY**  
**E-ONE TYPHOON CHASSIS**  
**HP78 AERIAL LADDER**

THIS DRAWING IS FOR REFERENCE PURPOSES. ALL DIMENSIONS ARE SUBJECT TO MINOR VARIATIONS DUE TO MANUFACTURING PROCESSES.

(FOR INTERNAL SALES PURPOSES ONLY)

DEALER APPROVAL \_\_\_\_\_ DATE \_\_\_\_\_  AS IS

CUSTOMER APPROVAL \_\_\_\_\_ DATE \_\_\_\_\_  WITH REVISIONS

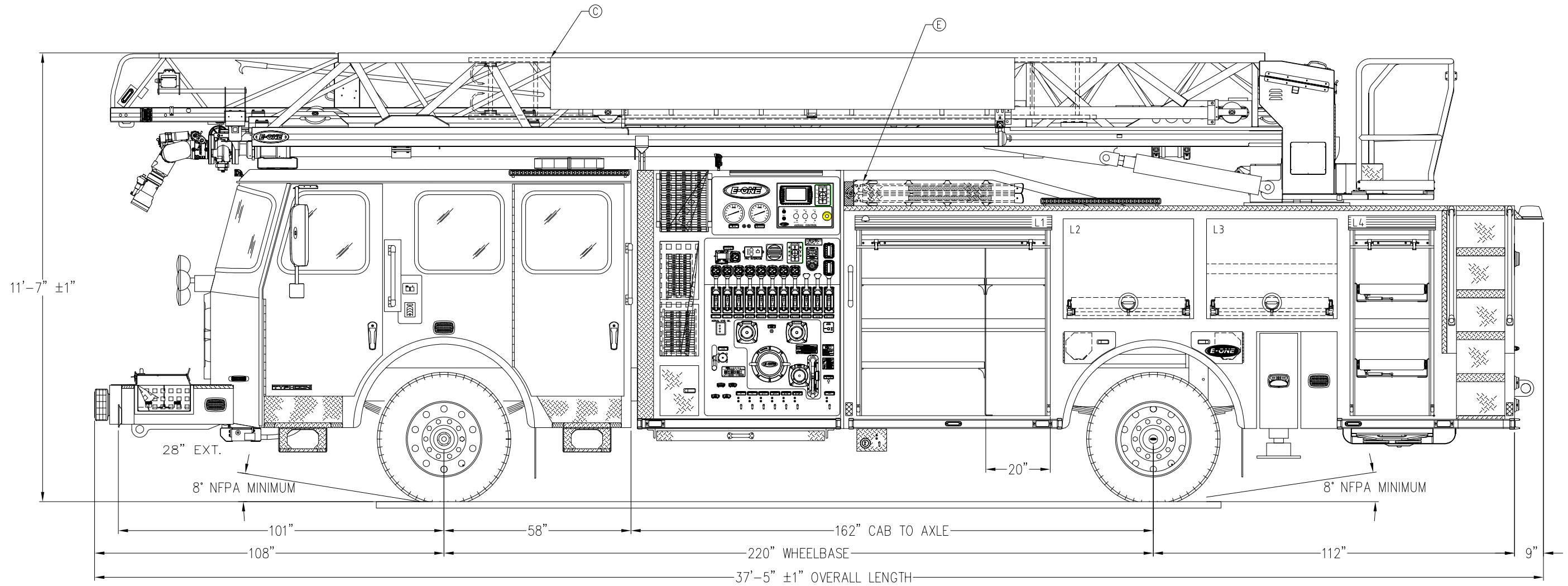
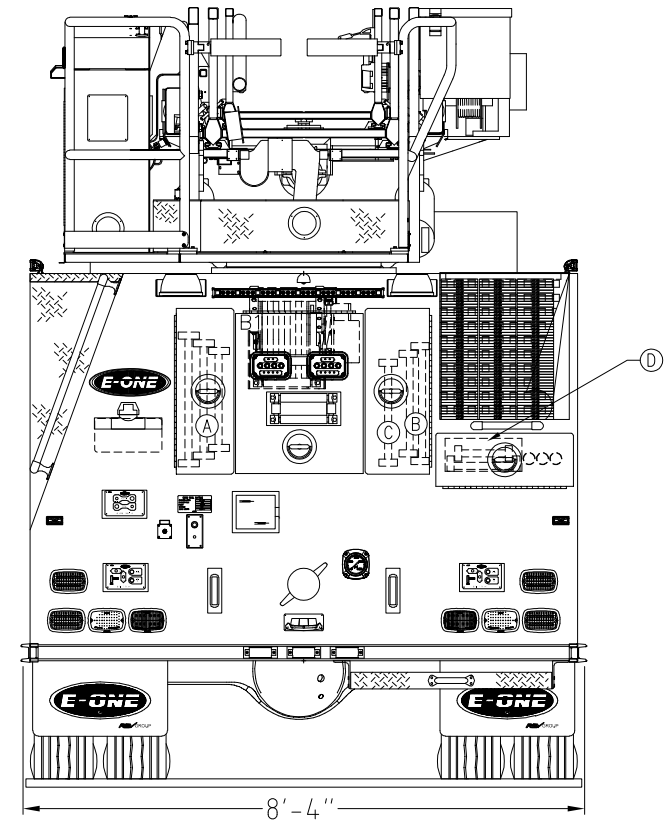
2000 GPM HALE QMAX PUMP	HOSE LOAD:
470 GALLON WATER TANK	1100' OF 4.00" LDH
30 GALLON INTEGRAL CLASS "A" FOAM	

COMPT.	OPENING		INTERIOR DIMENSION			
L1	58W	52H	60W	35H	24D	UPPER
			60W	26H	26D	LOWER
L2	40W	31H	40W	35H	24D	
L3	40W	31H	40W	17H	21D	UPPER
			40W	14H	24D	LOWER
L4	24W	52H	26W	35H	24D	UPPER
			26W	26H	26D	LOWER
R1	60W	61H	60W	35H	23D	UPPER
			60W	26H	26D	LOWER
R2	47W	26H	45W	26H	26D	
B1	21W	28H	TURNTABLE ACCESS ONLY			

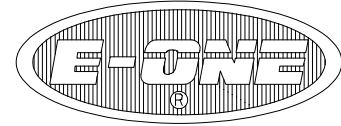
**GROUND LADDERS**

ITEM	LADDER LENGTH	MODEL NUMBER	QTY
A	35' 3-SECT.	1225-A 35'	1
B	24' 2-SECT.	900-A 24'	1
C	16' ROOF	875-A 16'	2
D	10' FRESNO	701-A 10'	1
E	LITTLE GIANT	MODEL 17	1

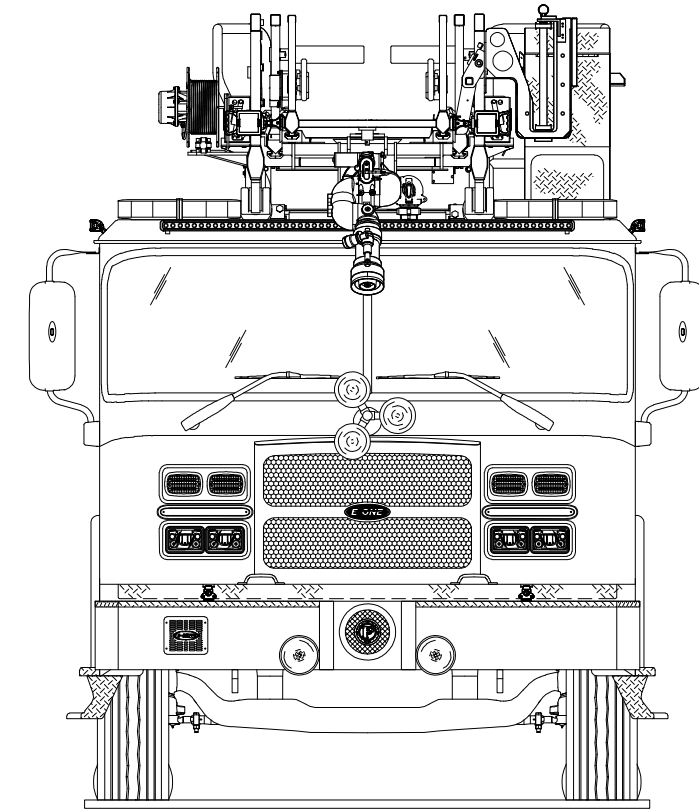
ONE ON AERIAL



MNAVETTA	A5	ACTION ITEMS	2022-DEC-08	MNAVETTA
DRAWN BY	REV	DESCRIPTION	DATE	APPROVED
		PROPOSAL REVISIONS		SHEET 1 OF 2



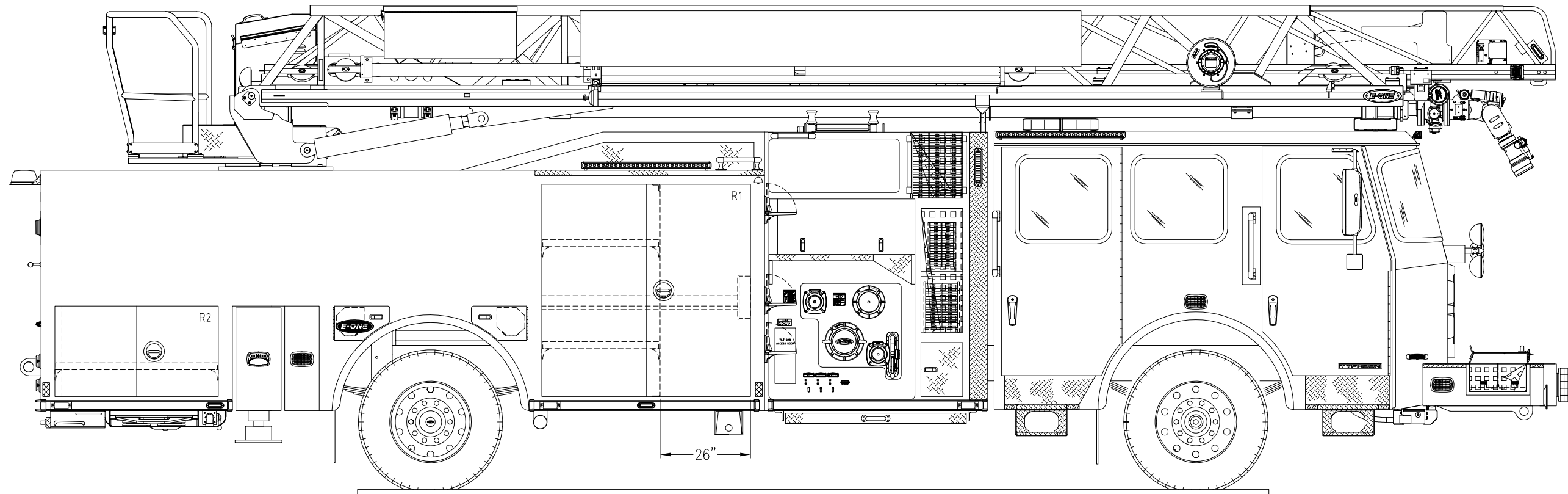
**ATLANTIC BEACH FIRE DEPT.**  
**ATLANTIC BEACH, NC**  
*S.O.145958/Q118548*  
**AERIAL BODY**  
**E-ONE TYPHOON CHASSIS**  
**HP78 AERIAL LADDER**



THIS DRAWING IS FOR REFERENCE PURPOSES. ALL DIMENSIONS ARE SUBJECT TO MINOR VARIATIONS DUE TO MANUFACTURING PROCESSES.

(FOR INTERNAL SALES PURPOSES ONLY)

DEALER APPROVAL \_\_\_\_\_ DATE \_\_\_\_\_  AS IS  
 CUSTOMER APPROVAL \_\_\_\_\_ DATE \_\_\_\_\_  WITH REVISIONS



MNAVETTA	A.5	ACTION ITEMS	2022-DEC-08	MNAVETTA
DRAWN BY	REV	DESCRIPTION	DATE	APPROVED
		PROPOSAL REVISIONS		SHEET 2 OF 2