

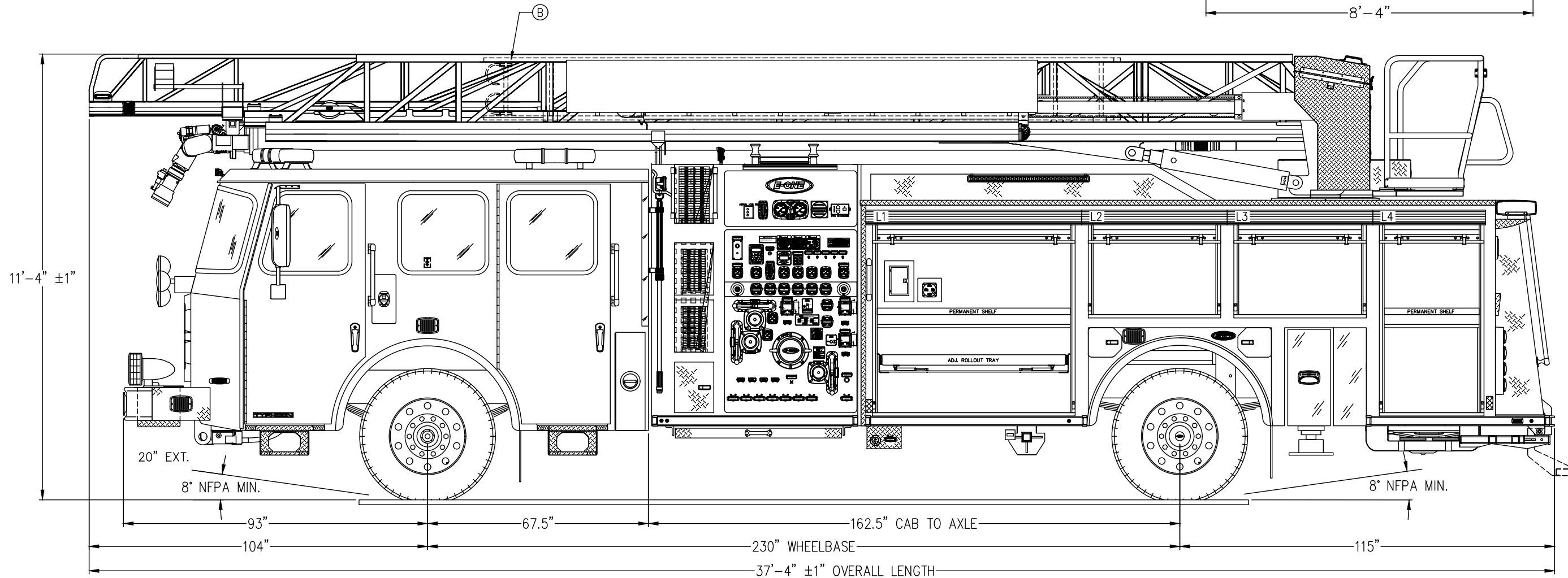
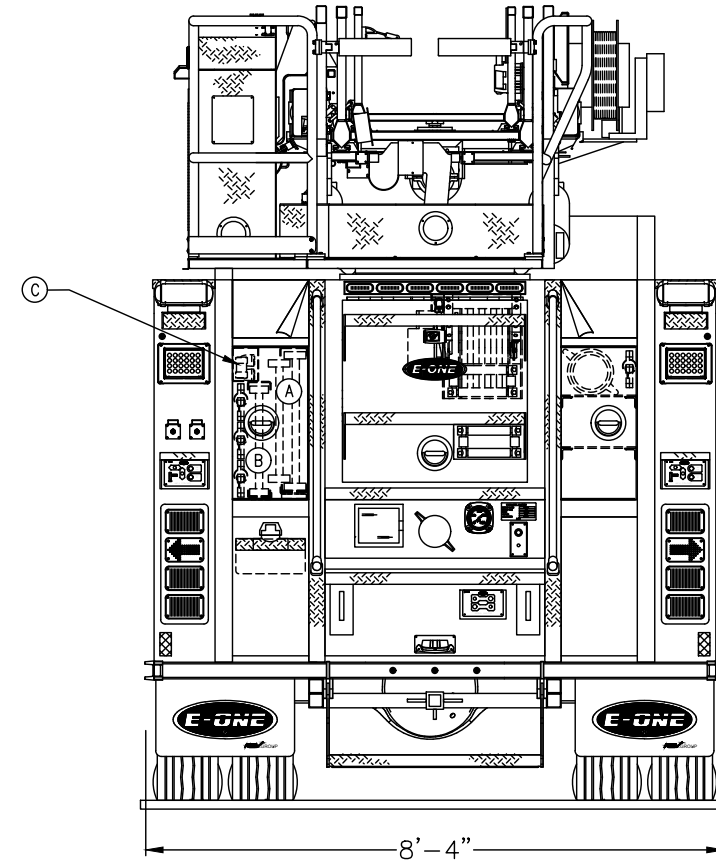
ELIZABETH CITY FIRE DEPT.
ELIZABETH CITY, NC
SO.145382/Q112616
AERIAL BODY
E-ONE TYPHOON CHASSIS
HP75 AERIAL LADDER

THIS DRAWING IS FOR REFERENCE PURPOSES. ALL DIMENSIONS ARE SUBJECT TO MINOR VARIATIONS DUE TO MANUFACTURING PROCESSES.

DEALER APPROVAL _____	DATE _____	<input type="checkbox"/> AS IS
CUSTOMER APPROVAL _____	DATE _____	<input type="checkbox"/> WITH REVISIONS

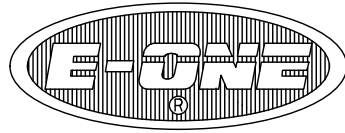
1500 GPM WATEROUS CSU PUMP		HOSE LOAD:	
470 GALLON WATER TANK		800' OF 5.00" LDH	
30 GALLON INTEGRAL CLASS "A" FOAM		500' OF 3.00" DJ	
COMPT.	OPENING	INTERIOR DIMENSION	
L1	60W 52H	62W 22H 12D	UPPER LOWER
R1	60W 52H	62W 26H 26D	26D
L2/R2	38W 22H	40W 22H	12D
L3/R3	38W 22H	40W 22H	12D
L4/R4	30W 52H	32W 22H 12D	UPPER LOWER
GROUND LADDERS			
ITEM	LADDER LENGTH	MODEL NUMBER	QTY
A	28' 2-SECT.	1200-A 28'	1
B	16' ROOF	875-A 16'	2
C	10' FOLDING	585-A 10'	1

ONE ON AERIAL



MNAVETTA	A.10	ACTION ITEMS	2022-MAY-23	MNAVETTA
DRAWN BY	REV	DESCRIPTION	DATE	APPROVED
		PROPOSAL REVISIONS		SHEET 2 OF 2

Date Printed: 2022-05-24 at 09:35:41 EDT Username: dtallman
P/N: S145382 Creator: Navetta, Marc Version: A.10
State: Released Context: [Product]:Aerial
Location: [Product]:Aerial/145000/145382/Sales Drawings



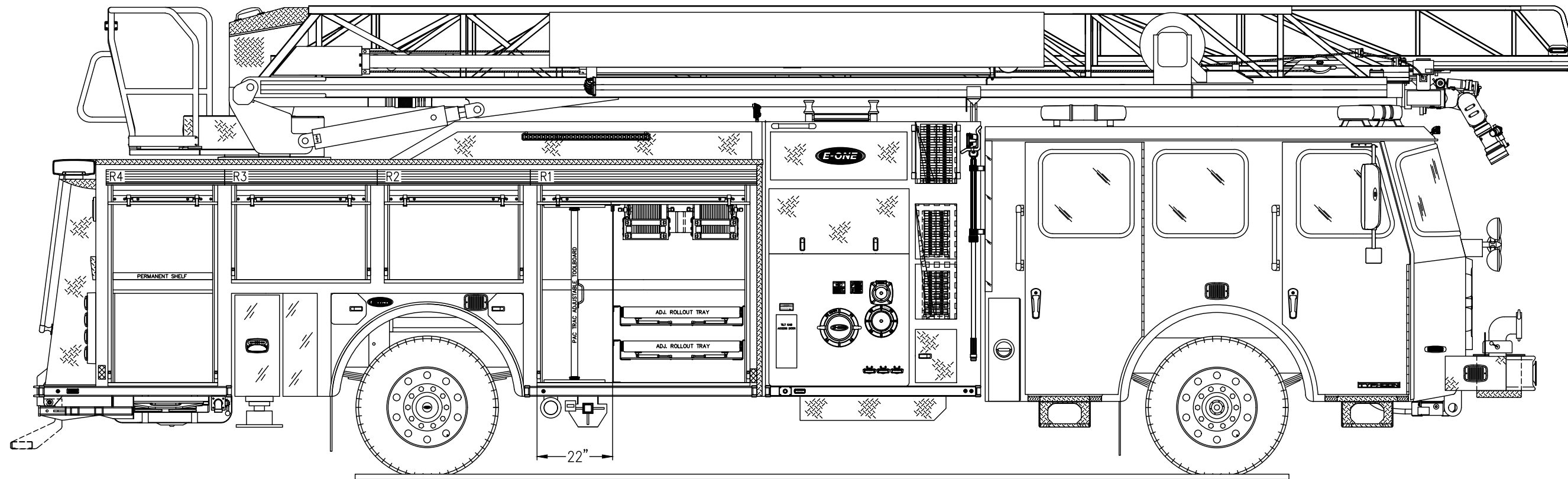
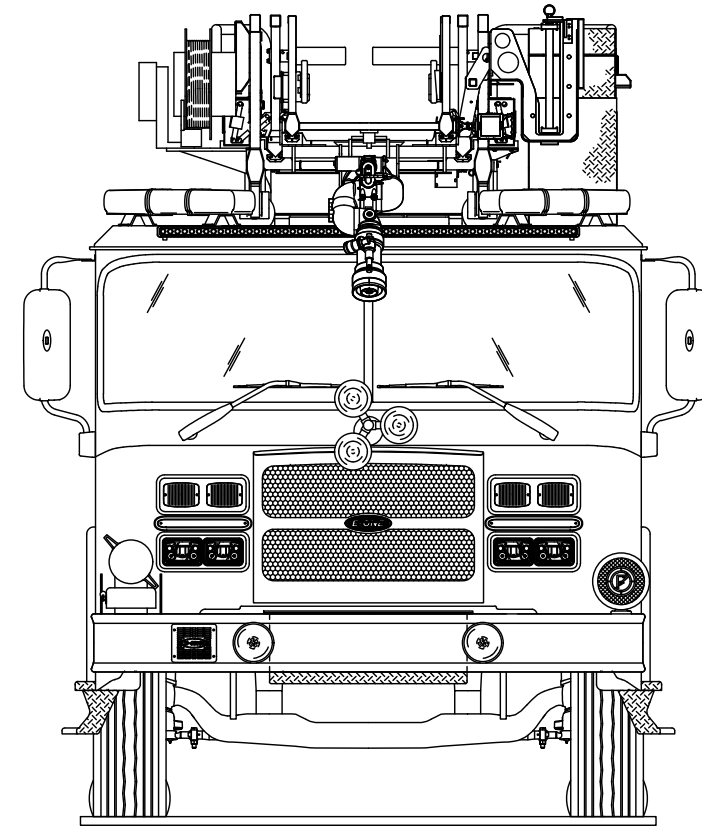
ELIZABETH CITY FIRE DEPT.
ELIZABETH CITY, NC

SO.145382/Q112616

AERIAL BODY
 E-ONE TYPHOON CHASSIS
 HP75 AERIAL LADDER

THIS DRAWING IS FOR REFERENCE PURPOSES. ALL DIMENSIONS ARE SUBJECT TO MINOR VARIATIONS DUE TO MANUFACTURING PROCESSES.

DEALER APPROVAL _____	DATE _____	<input type="checkbox"/> AS IS
CUSTOMER APPROVAL _____	DATE _____	<input type="checkbox"/> WITH REVISIONS



Date Printed: 2022-05-24 at 09:35:41 EDT Username: dtallman
 P/N: S145382 Creator: Navetta, Marc Version: A.10
 State: Released Context: [Product]:Aerial
 Location: [Product]:Aerial/145000/145382/Sales Drawings

MNAVETTA	A.10	ACTION ITEMS	2022-MAY-23	MNAVETTA
DRAWN BY	REV	DESCRIPTION	DATE	APPROVED
		PROPOSAL REVISIONS		

SHEET 2 OF 2