



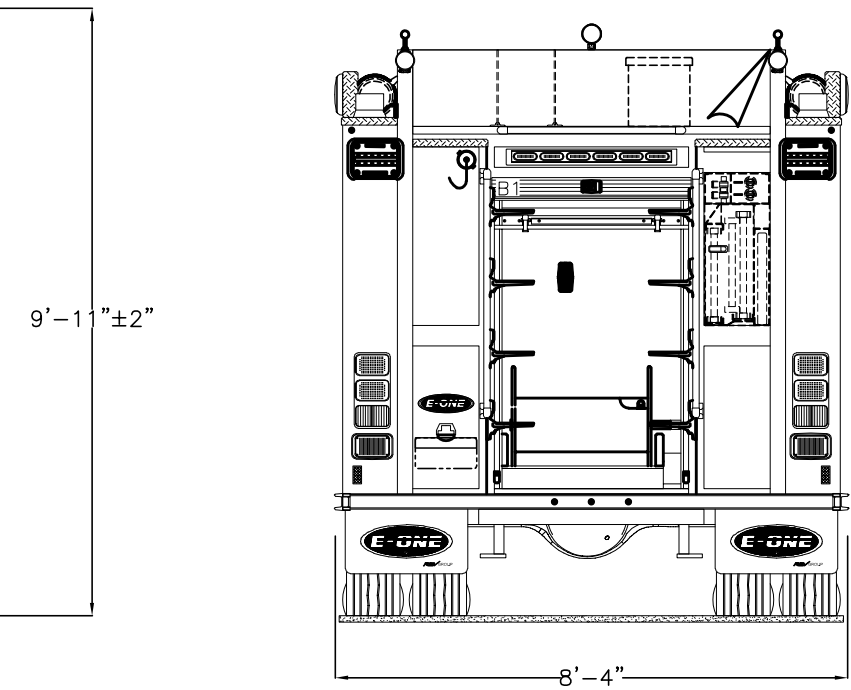
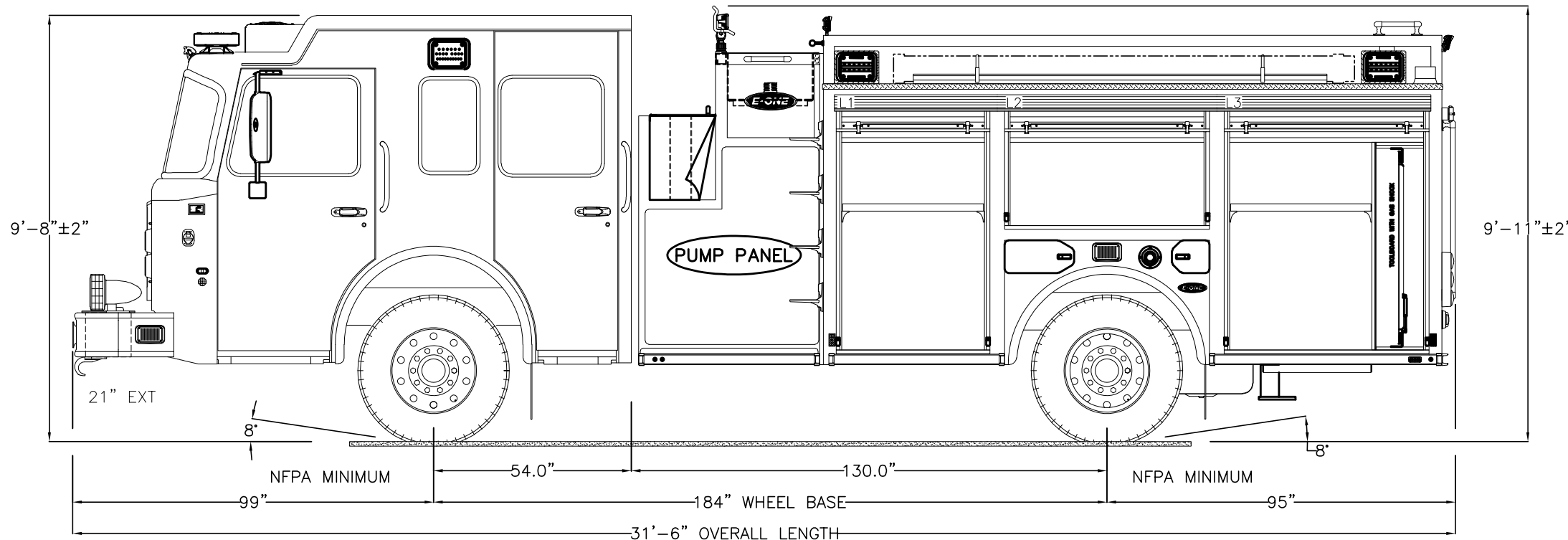
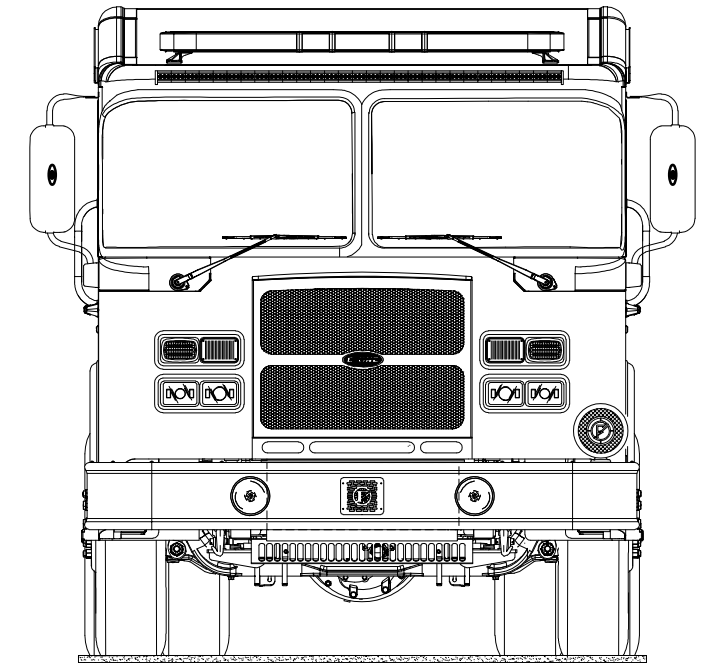
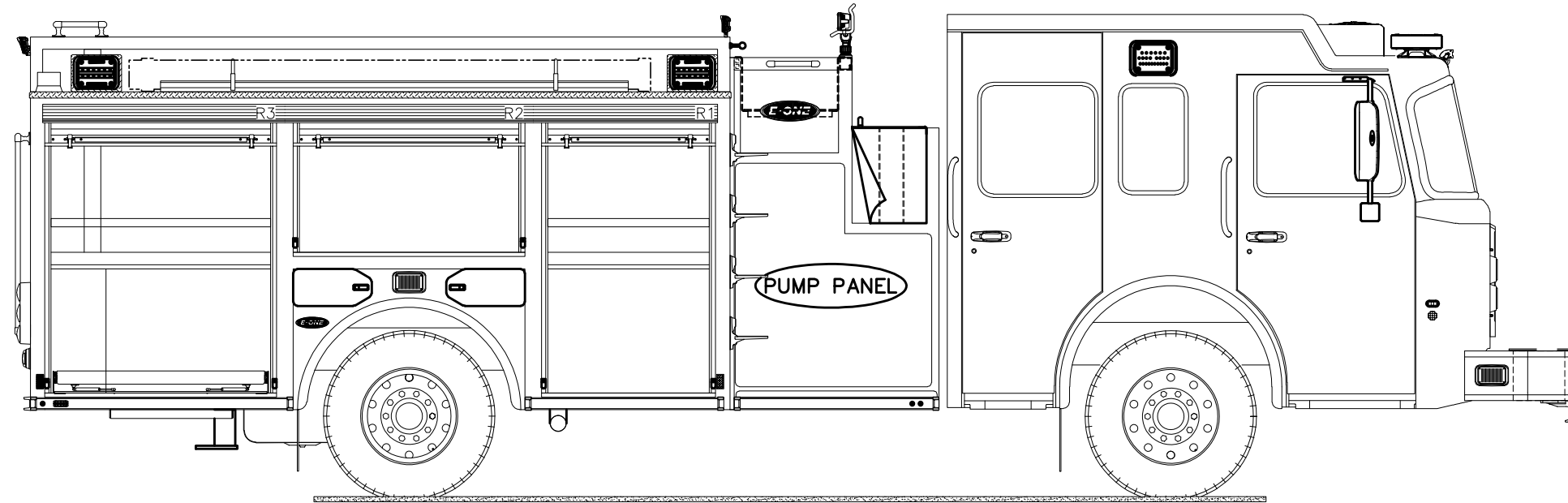
FIRE CONNECTIONS, INC.
 ROCKY MOUNT, NC
 SO147014 / Q125608
 AFT1001 RESCUE PUMPER
 SPARTAN METRO STAR 4 DOOR 4X2 CHASSIS

COMPT.		OPENING		INTERIOR DIMENSION			
L1	40W	59H	42W	3H	12D	UPPER	1500 GPM HALE QMAX PUMP
L2	54W	25H	42W	56H	26D	LOWER	1000 GALLON WATER TANK
L3	54W	59H	56W	3H	12D	UPPER	30 GALLON CLASS "A" FOAM
R1	40W	59H	42W	3H	12D	FRONT UPPER	
R2	54W	25H	42W	56H	26D	FRONT LOWER	
R3	54W	59H	14W	3H	10D	REAR UPPER	
B1	36W	52H	14W	56H	24D	REAR LOWER	

HOSE LOAD:
 NFPA CAPACITY

THIS DRAWING IS FOR REFERENCE PURPOSES. ALL DIMENSIONS ARE SUBJECT TO MINOR VARIATIONS DUE TO MANUFACTURING PROCESSES.

This print is the property of E-ONE, Inc. and is loaned to you subject to return on demand, unless otherwise agreed to in writing by E-ONE, Inc. Its contents are confidential and must not be copied or submitted to third parties for use or examination.



HOSEBED HEIGHT:
 (FOR REFERENCE ONLY)
 TO TAILBOARD: 72"
 TO GROUND: 96±2"

DRAWN BY	REV	DESCRIPTION	DATE	APPROVED
J. NAWROCKI	A.1	INITIAL RELEASE	JUL 10 2023	J. NAWROCKI
APPROVAL REVISIONS				