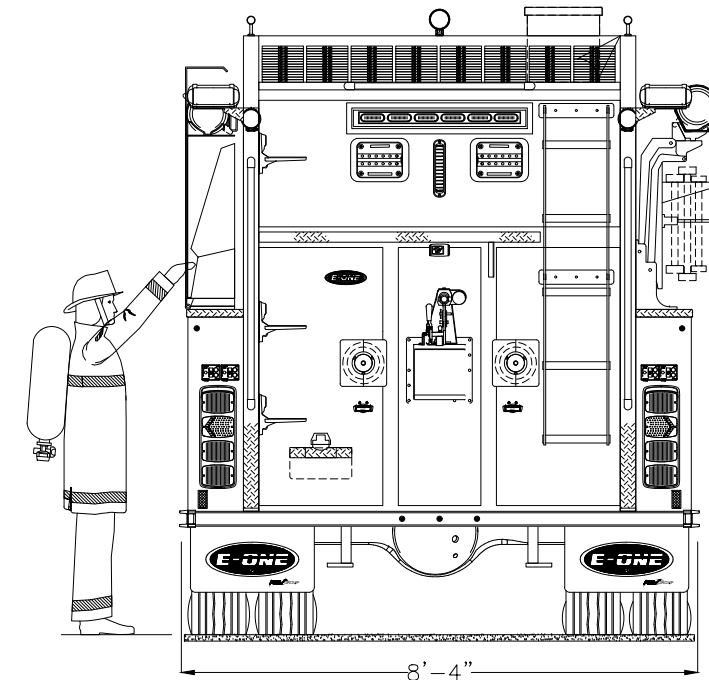
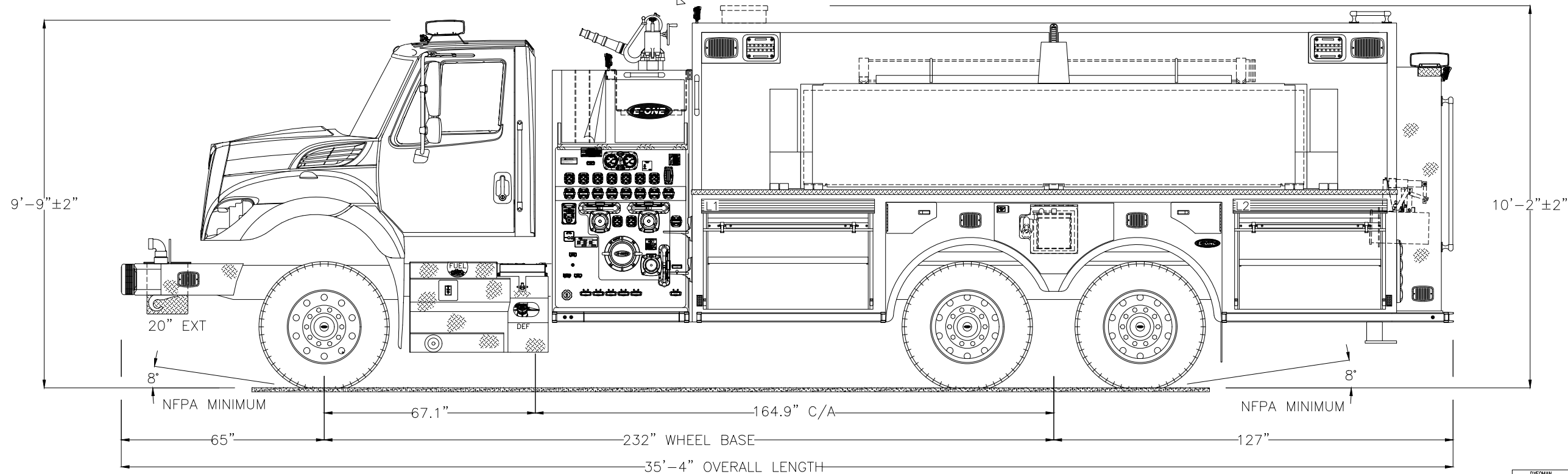
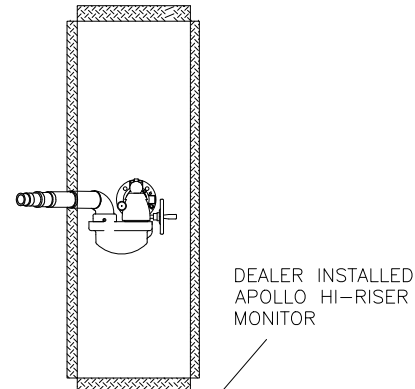


**RED OAK DISTRICT VOL FIRE DEPT**  
**RED OAK, NC**  
*SO.145375-Q109422*  
**TANDEM TANKER**  
**INTERNATIONAL HV607 6X4 CHASSIS**

1250 GPM HALE QFLO PUMP					HOSE LOAD:	
3030 GALLON POLY III WATER TANK					1000' OF 5.0" LDH	
L1/R1	52W	25H	54W	34H	26D	
L2/R2	46W	25H	48W	34H	26D	
THIS DRAWING IS FOR REFERENCE PURPOSES. ALL DIMENSIONS ARE SUBJECT TO MINOR VARIATIONS DUE TO MANUFACTURING PROCESSES.						
DEALER APPROVAL _____		DATE _____		<input type="checkbox"/> AS IS		
CUSTOMER APPROVAL _____		DATE _____		<input type="checkbox"/> WITH REVISIONS		

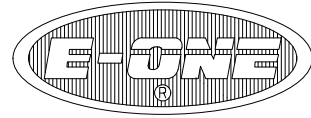


HOSEBED HEIGHT:  
 (FOR REFERENCE ONLY)  
 TO TAILBOARD: 83"  
 TO GROUND: 107"



DYEOMAN	A	REVIEW 2	2022-JAN-12	DYEOMAN
DRAWN BY	REV	DESCRIPTION	DATE	APPROVED
	APPROVAL	REVISIONS		SHEET 1 OF 2

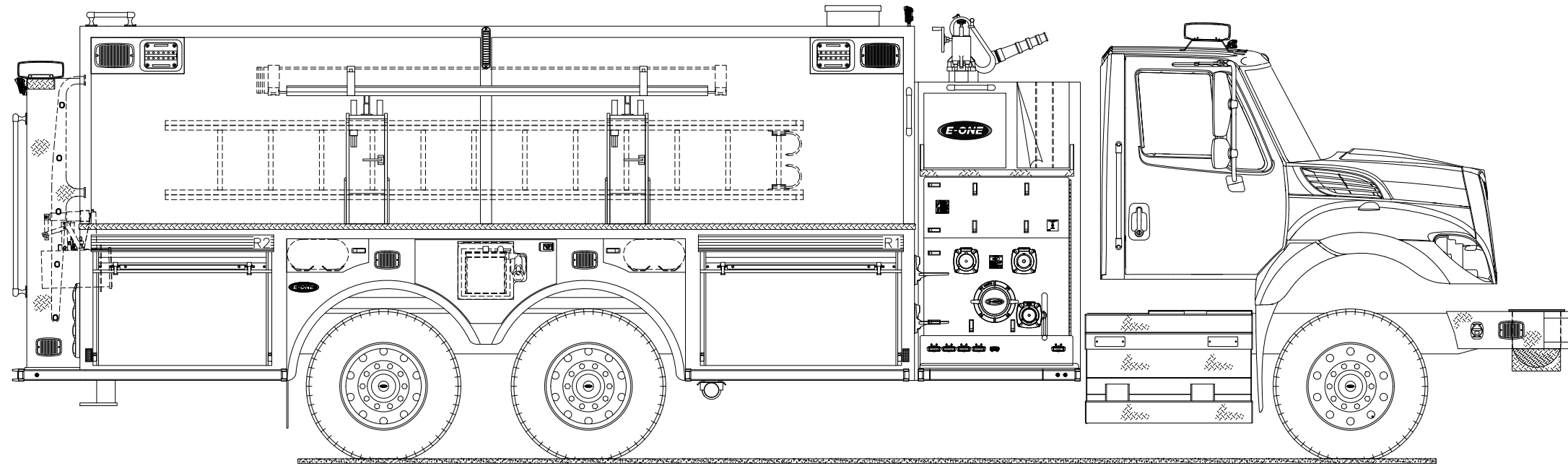
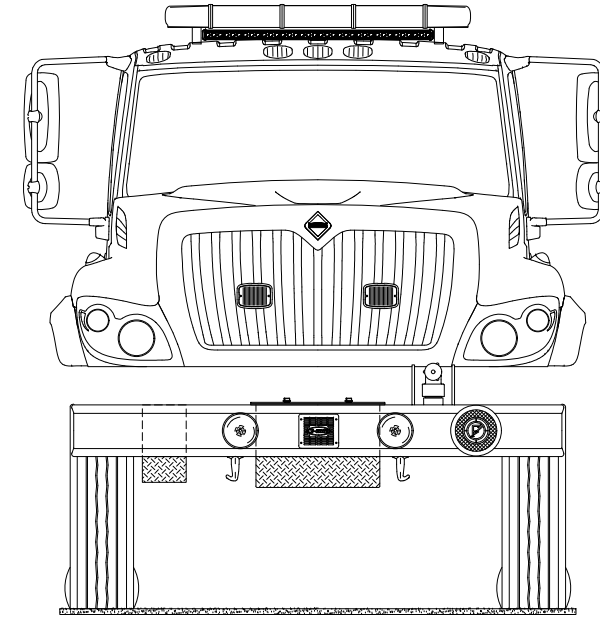
Date Printed: 2022-04-12 at 14:18:13 EDT    Username: bharbaugh  
 Creator: Yeoman, Dennis    Version: B.2    State: Released  
 Context: [Product]: Tanker  
 Location: [Product]: Tanker/145000/145375/Sales Drawings



RED OAK DISTRICT VOL FIRE DEPT  
 RED OAK, NC  
 SO.145375-Q109422  
 TANDEM TANKER  
 INTERNATIONAL HV607 6X4 CHASSIS

THIS DRAWING IS FOR REFERENCE PURPOSES. ALL DIMENSIONS ARE SUBJECT TO MINOR VARIATIONS DUE TO MANUFACTURING PROCESSES.

DEALER APPROVAL _____	DATE _____	<input type="checkbox"/> AS IS
CUSTOMER APPROVAL _____	DATE _____	<input type="checkbox"/> WITH REVISIONS



DYEMAN	A	REVIEW 2	2022-JAN-12	DYEMAN
DRAWN BY	REV	DESCRIPTION	DATE	APPROVED
	APPROVAL	REVISIONS		SHEET 2 OF 2

Date Printed: 2022-04-12 at 14:18:13 EDT    Username: bharbaugh  
 Creator: Yeoman, Dennis    Version: B.2    State: Released  
 Context: [Product]: Tanker  
 Location: [/Product]: Tanker/145000/145375/Sales Drawings